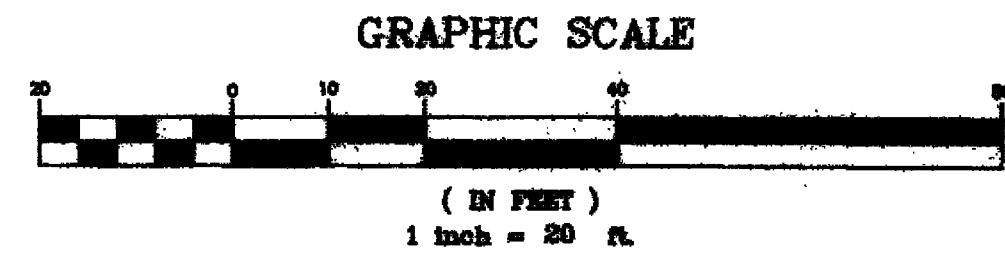
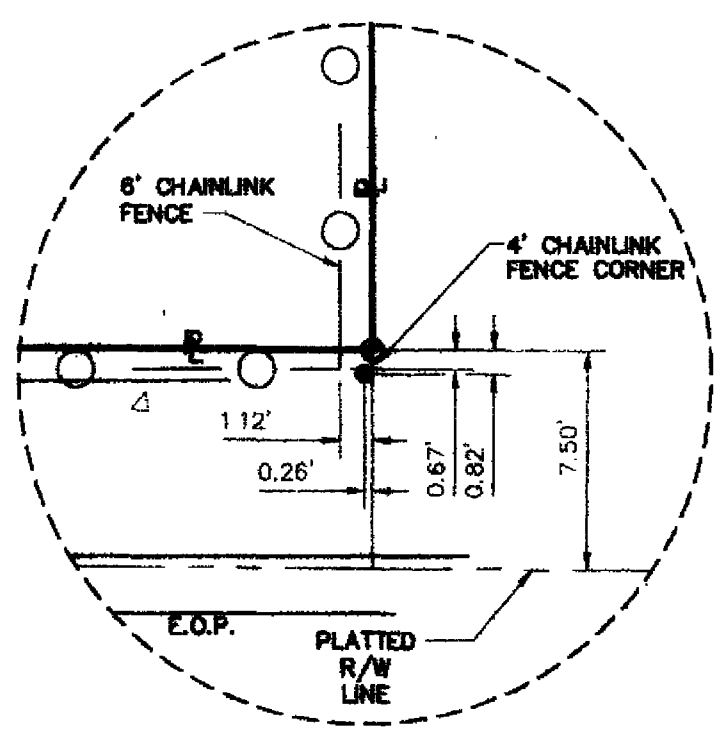
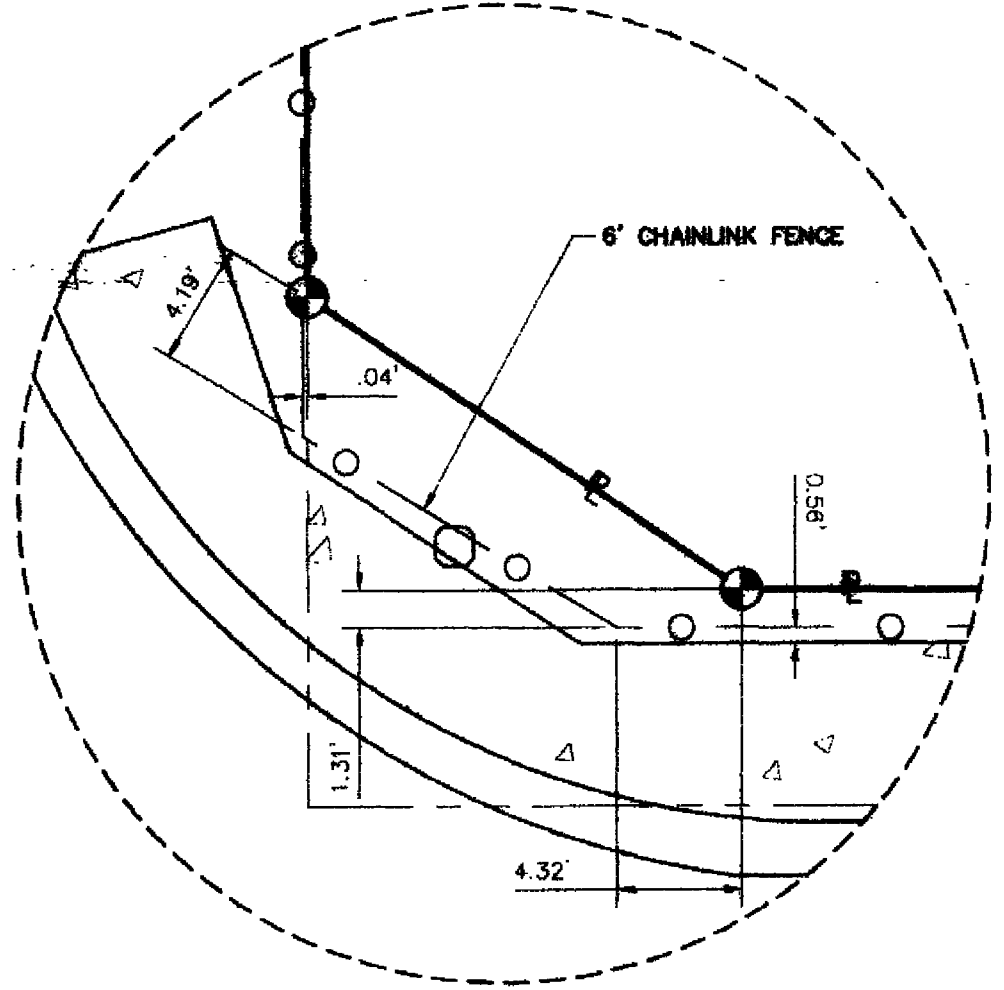
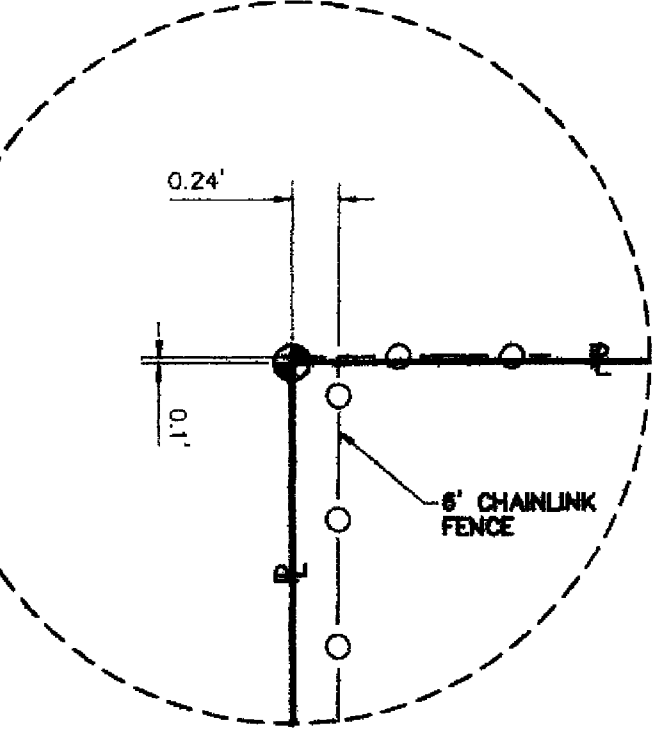


- DENOTES**
- (F) FIELD
 - (CA) CITY ATLAS SHEET
 - R/W RIGHT-OF-WAY
 - E.O.P. EDGE OF PAVEMENT
 - Ø POWER POLE
 - ① 1/2" CAPPED IRON ROD SET #4882
 - X 34.14 SPOT ELEVATION
 - STREET MARKER
 - ⊙ DENOTES TREE (SEE TREE TABLE)
 - ⊙ SANITARY SEWER MANHOLE
 - ⊙ STORM DRAIN
 - ★ LIGHT POLE
 - DENOTES 4' CHAINLINK FENCE CORNER
 - ⌚ DENOTES PROPERTY LINE



GENERAL NOTES:

1. THE BEARINGS AS SHOWN HEREON ARE REFERENCED TO THE ASSUMED BEARING OF SOUTH 89° 48' 07" WEST ALONG THE NORTH LINE OF BLOCK 7, WEST KING TRACT.
2. THE SURVEY DATUM SHOWN HEREON REFERENCED TO THE DESCRIPTION AS FURNISHED AND TO EXISTING FIELD MONUMENTATION.
3. THE MEASUREMENTS AS SHOWN HEREON WERE MADE TO UNITED STATES STANDARDS.
4. THE VISIBLE ENCROACHMENTS ARE AS SHOWN.
5. NO TITLE SEARCH OR ABSTRACT WAS PROVIDED TO NOR PERFORMED BY NORTHWEST FLORIDA ENGINEERING AND SURVEYING, INC. FOR THE SUBJECT PROPERTY. THERE MAY BE DEEDS OF RECORD, UNRECORDED DEEDS, EASEMENTS, RIGHTS OF WAY, STATE AND/OR FEDERAL JURISDICTIONAL AREAS OR OTHER INSTRUMENTS WHICH COULD AFFECT THE BOUNDARIES OF THE SUBJECT PROPERTY.
6. THE PROPERTY SHOWN HEREON IS LOCATED IN FLOOD ZONE C, BASE FLOOD ELEVATION DEPTH TO 1/4 FEET, AS DETERMINED FROM FEDERAL EMERGENCY MANAGEMENT AGENCY FLOOD INSURANCE RATE MAP OF CITY OF PENSACOLA, ESCAMBIA COUNTY, FLORIDA (INCORPORATED AREAS), COMMUNITY PANEL NUMBER 129982 0895 C, REVISED AUGUST 19, 1987.
7. THE ELEVATIONS SHOWN HEREON ARE REFERENCED TO NATIONAL GEODETIC VERTICAL DATUM FROM CITY OF PENSACOLA BENCHMARK NO.35, SOUTHWEST CORNER OF BRANNON STREET AND 1ST STREET, 38.42' SOUTHWEST OF MANHOLE IN CENTER OF INTERSECTION, 1.0' WEST OF BACK OF CURB, 15.50' WEST OF CENTERLINE OF 1ST STREET, 27.78' SOUTH OF CENTERLINE OF BRANNON STREET HAVING AN ELEVATION OF 42.375'.
8. UTILITY LINES AS SHOWN HEREON INDICATE VISIBLE LOCATION ONLY. THE CONTRACTOR IS RESPONSIBLE FOR NOTIFYING SPOTTER BEFORE WORK BEGINS ON UNDERGROUND UTILITIES.
9. UNDERGROUND UTILITIES WERE NOT FIELD VERIFIED. THE CONTRACTOR IS RESPONSIBLE FOR NOTIFYING SPOTTERS BEFORE WORK BEGINS ON ANY UNDERGROUND UTILITIES.



TREE TABLE

TREE NO.	TREE TYPE	TREE SIZE	TREE SPREAD
4	OAK	30"	20'
5	OAK	28"	20'
6	OAK	48"	50'
7	OAK	48"	50'
8	OAK	36"	50'
9	OAK	24"	20'

BOUNDARY & TOPOGRAPHICAL SURVEY

REVISIONS		DATE	BY	DESCRIPTION

NOT VALID UNLESS
SEALED WITH AN
EMBOSSED SEAL

NORTHWEST FLORIDA ENGINEERING & SURVEYING, INC.
100 Willing St.
Milton, FL 32570
(904) 688-8870
(904) 688-1800

DATE: 12/12/95
DRAWN: JLA
DESIGNED: JLA
CHECKED: MRS
DATE

SCALE 1" = 20'

NOT RELEASED FOR CONSTRUCTION BY

BOUNDARY, TOPOGRAPHIC, AND TREE LOCATION
SURVEY OF A PORTION OF BLOCK 6,
WEST KING TRACT, CITY OF PENSACOLA,
ESCAMBIA COUNTY, FLORIDA

REQUESTED BY: JIM MYATT
SURVEYED FOR: GREATER LITTLE ROCK
BAPTIST CHURCH

FIELD DATE: 11/28, 30/95, 12/4/95
FIELD BOOK: P-356 PAGES 59-54
PARTY CHIEF: GP/WRS/JLA

SURVEYOR'S CERTIFICATE:
I HEREBY CERTIFY THAT THIS BOUNDARY AND TOPOGRAPHICAL SURVEY MEETS THE MINIMUM TECHNICAL STANDARDS AS SET FORTH BY THE FLORIDA BOARD OF PROFESSIONAL LAND SURVEYORS IN CHAPTER 91017-8, FLORIDA ADMINISTRATIVE CODE, PURSUANT TO SECTION 472.027, FLORIDA STATUTES.

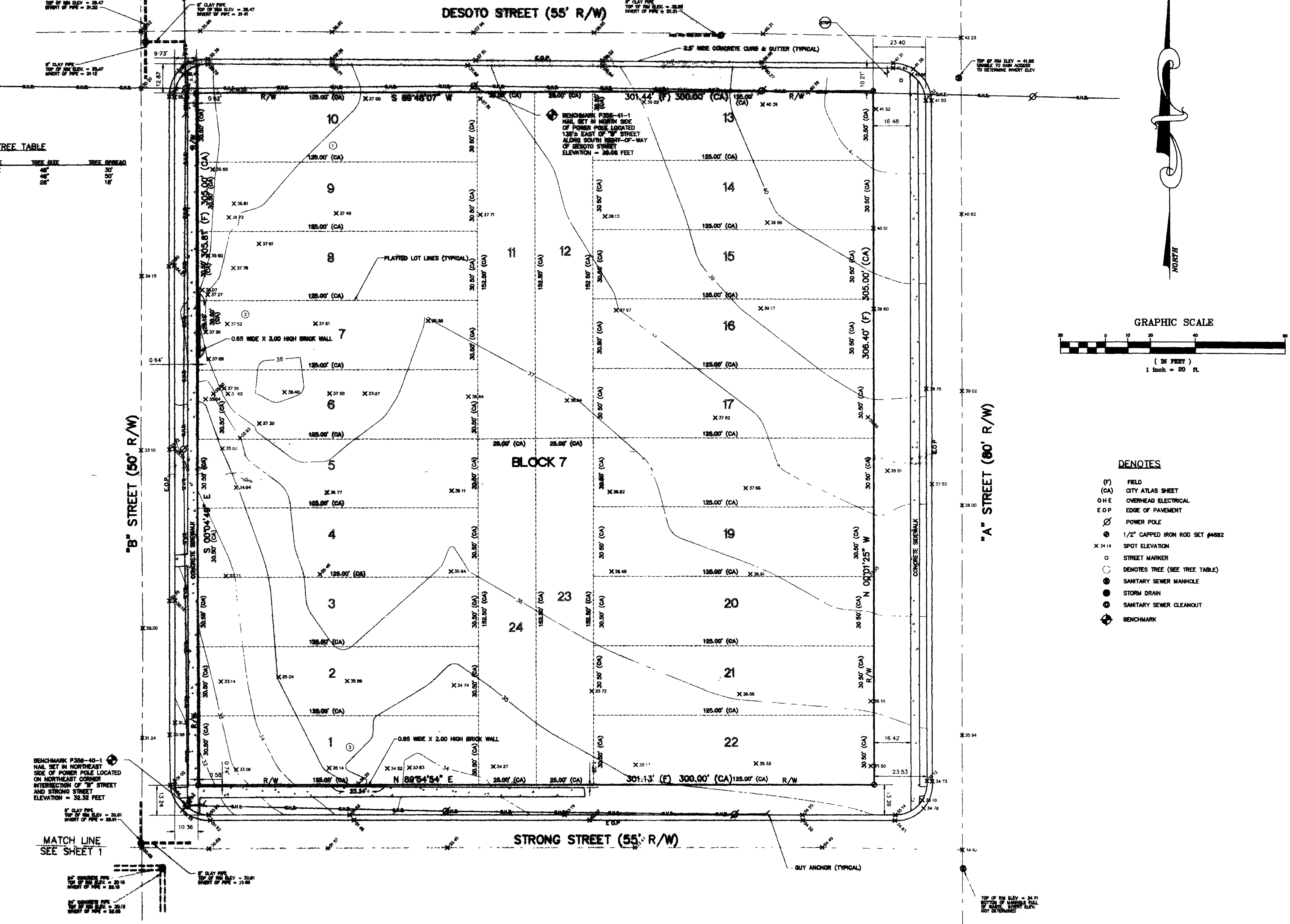
Tracy A. Brinkolds 12/12/95
NORTHWEST FLORIDA ENGINEERING & SURVEYING, INC. R.L.S. NO. 4314
CORP. NO. 4882

PROJECT NO. 6574-95
NO. 1
INDEX 2 SHEETS

9. SURVEYOR'S SEALS: Thu Dec 21 06:40:51 1995

TREE TABLE

TREE NO.	TREE TYPE	TREE SIZE	TREE SPREAD
1	TRIN OAK	48"	30'
2	OAK	48"	50'
3	OAK	24"	18'



BENCHMARK P-356-40-1
NAIL SET IN NORTHEAST
SIDE OF POWER POLE LOCATED
ON NORTHEAST CORNER
INTERSECTION OF "B" STREET
AND STRONG STREET
ELEVATION = 32.32 FEET

MATCH LINE
SEE SHEET 1

- DENOTES**
- (F) FIELD
 - (CA) CITY ATLAS SHEET
 - O H E OVERHEAD ELECTRICAL
 - E O P EDGE OF PAVEMENT
 - ⊗ POWER POLE
 - ⊙ 1/2" CAPPED IRON ROD SET #4882
 - X 34.14 SPOT ELEVATION
 - STREET MARKER
 - DENOTES TREE (SEE TREE TABLE)
 - SANITARY SEWER MANHOLE
 - STORM DRAIN
 - SANITARY SEWER CLEANOUT
 - ⊕ BENCHMARK

BOUNDARY & TOPOGRAPHICAL SURVEY

FIELD DATE: 11/28, 30, 95, 12/4/95
FIELD BOOK: P-356 PAGES 39-54
PARTY CHIEF: GP/WRS/JLA

PROJECT NO. 6574-95		INDEX 2 SHEETS	
BOUNDARY, TOPOGRAPHIC, AND TREE LOCATION SURVEY OF BLOCK 7, WEST KING TRACT, CITY OF PENSACOLA, ESCAMBIA COUNTY, FLORIDA		REQUESTED BY JIM MYATT SURVEYED FOR GREATER LITTLE ROCK BAPTIST CHURCH	
NORTHWEST FLORIDA ENGINEERING & SURVEYING, INC 100 WILLING ST. PENSACOLA, FL 32507 (904) 488-9870		SCALE 1" = 20'	
DESIGNED	DRAWN	CHECKED	DATE
	JLA	WRS	12/11/95
NOT VALID UNLESS SEALED WITH AN EMBOSSED SEAL		DATE	
NO.	DATE	APPR.	REVISIONS

This drawing is the property of Northwest Florida Engineering & Surveying, Inc. and shall not be used for any other project without the written consent of the firm.