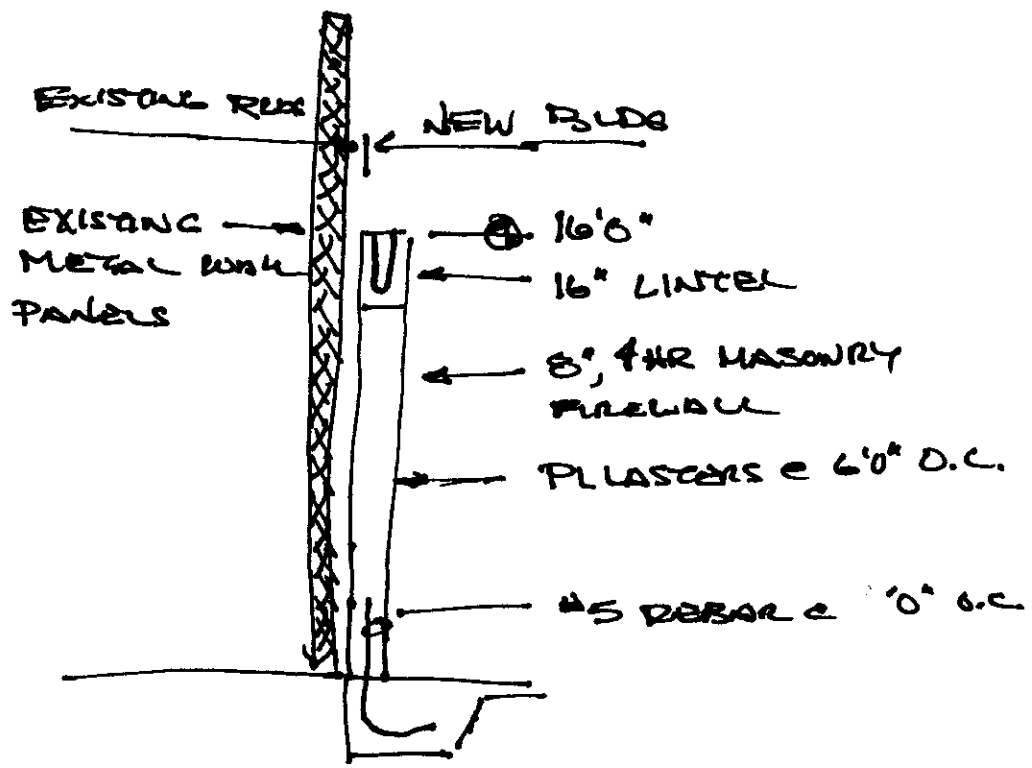
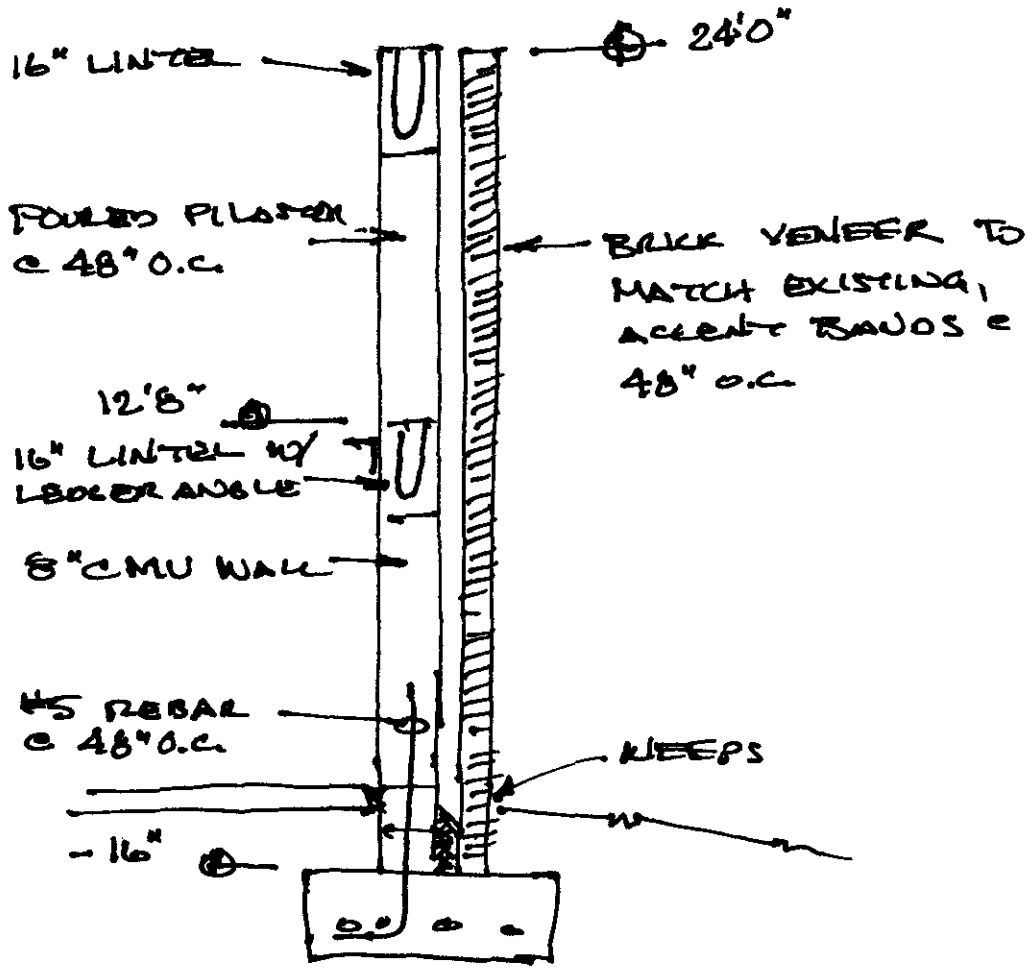


26' FIRE WALL @ EXISTING RUC
NOT TO SCALE

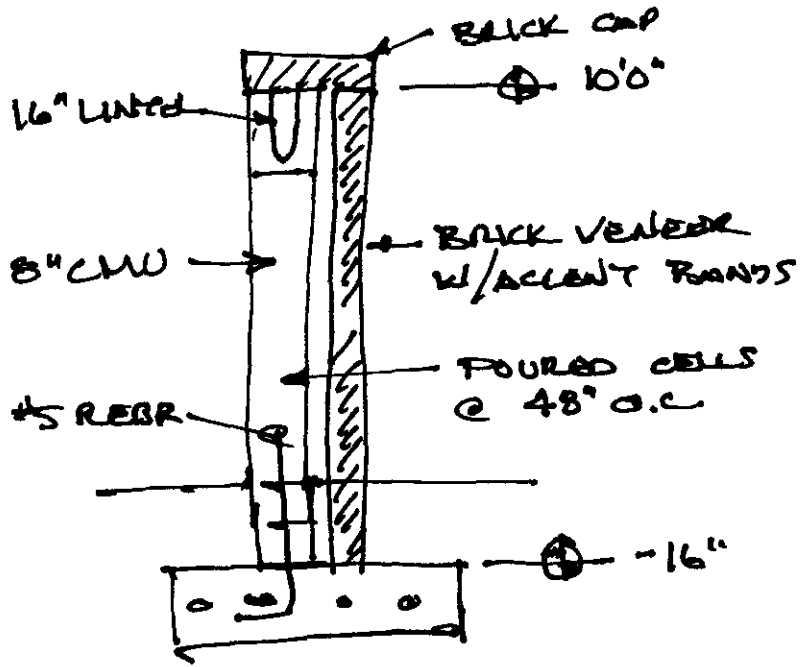


16' FIRE WALL @ EXISTING RUC
NOT TO SCALE

SK-1
19/15/02

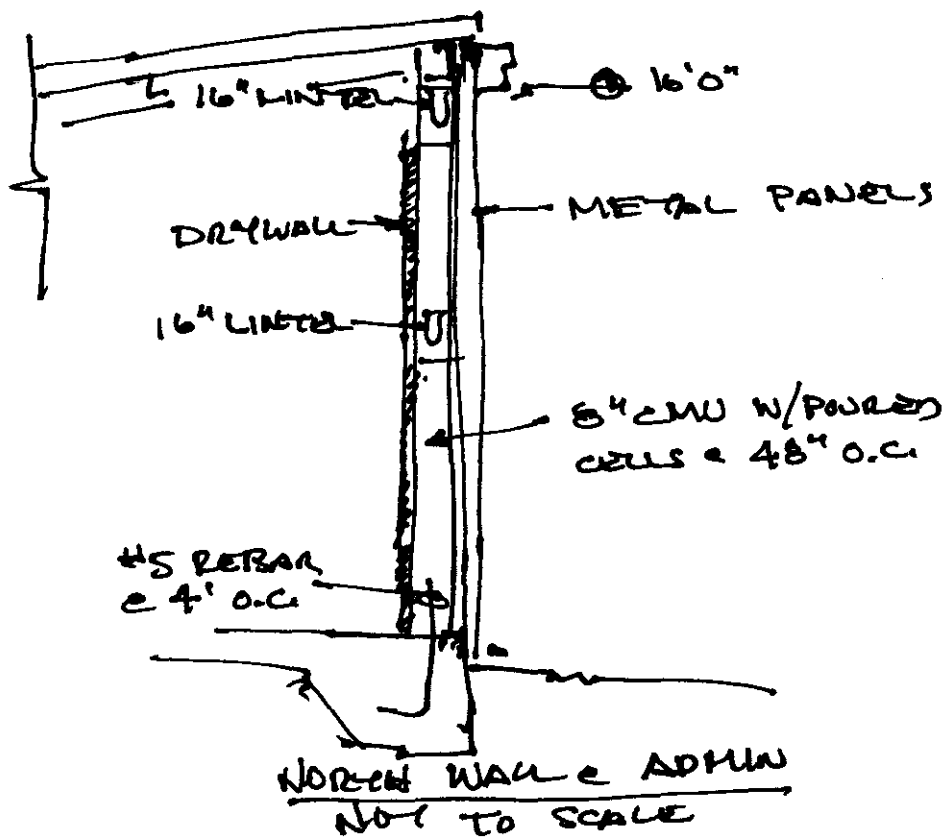
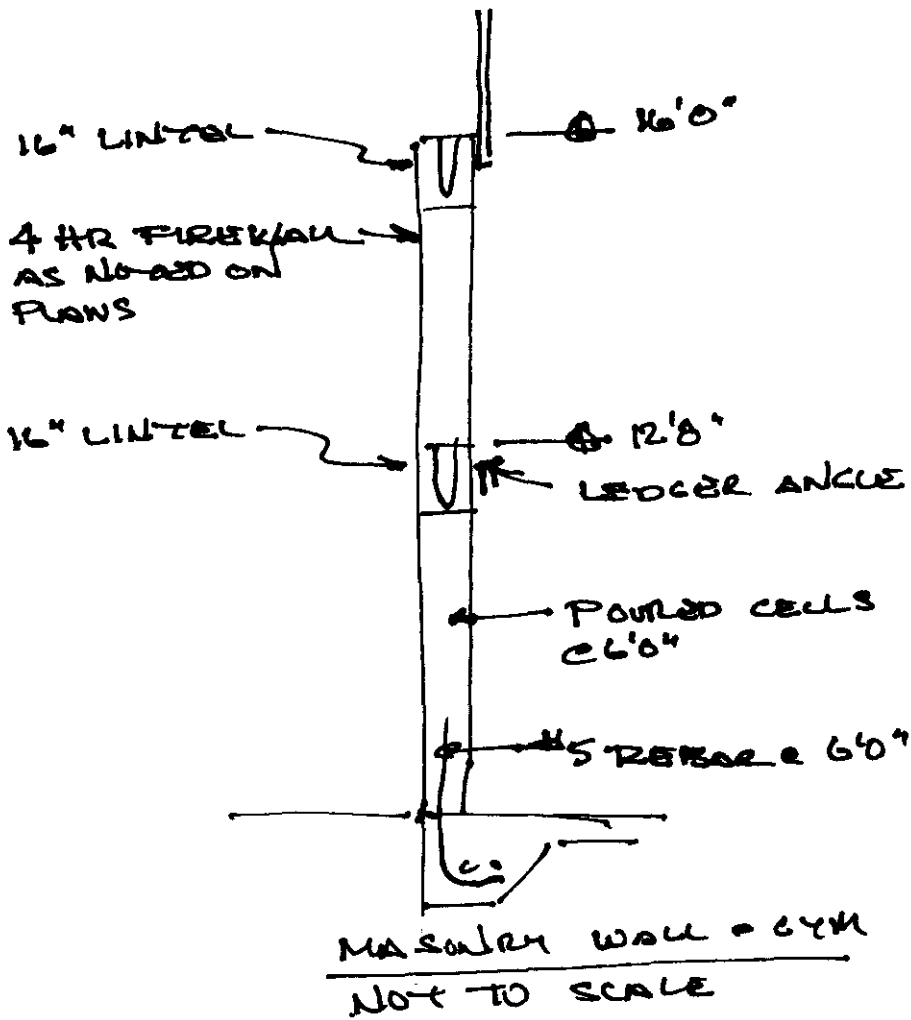


EXTERIOR WALL & STAIRS
NOT TO SCALE



SCREEN WALL
NOT TO SCALE

SK 2
10/15/08



SK-3
10/15/08