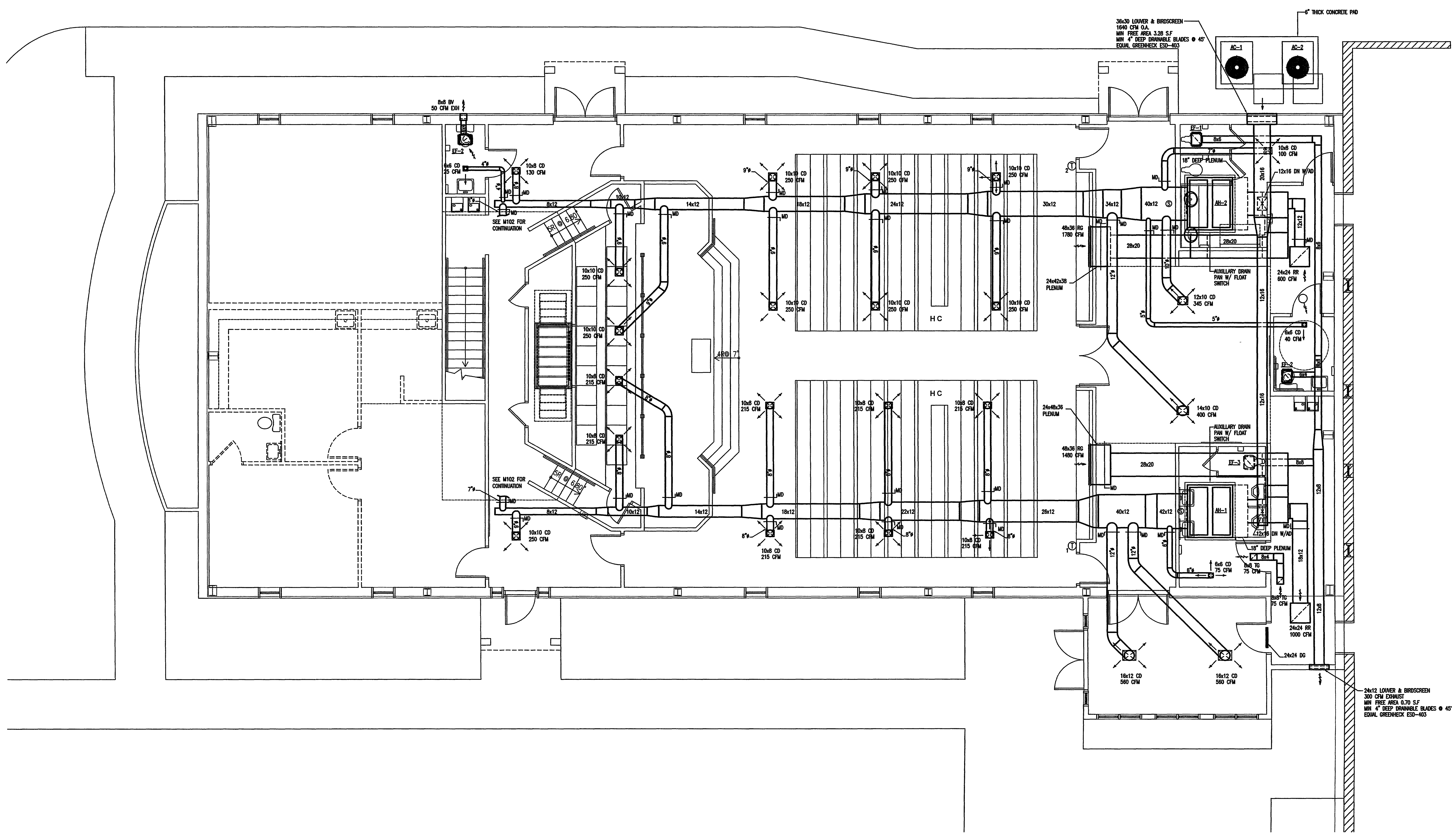



PROPRIETARY RIGHTS CLAUSE INFORMATION AND DATA CONTAINED ON THIS DRAWING IS CONFIDENTIAL AND SHALL NOT BE USED WITHOUT PRIOR WRITTEN PERMISSION BY ANY ENTITY NOT HAVING A CONTRACTUAL RELATIONSHIP WITH THE ARCHITECT. THIS LEGEND SHALL BE MARKED ON ANY REPRODUCTIONS HEREOF IN WHOLE OR IN PART. KENDRICK/DOWNING ARCHITECTS, INC. © COPYRIGHT 2007



FLOOR PLAN - MECHANICAL
SCALE 1/4"=1'-0"


 11 Maple Strip Parkway SW 213 West 6th Street
 Fort Walton Beach, FL 32548 Panama City, FL 32401
 850.244.6189V 850.244.1645F 850.215.4068V 850.215.4068F
 johnson@johnsonpeadar.com PWB
 jpeadar@johnsonpeadar.com PC
 ALRCD-2429-E FLR0000014 GARPEF03883 MSHE-0000082
 These plans, the ideas and the concepts contained herein including any digital information are the sole property of Johnson, Peadar Engineering, Inc. They are not to be reproduced, copied, modified or changed without the expressed written permission of Johnson, Peadar Engineering, Inc.
 JPE Job Number: 0719

ACCORDING TO
**KENDRICK
 DAVIS
 DOWNING
 ARCHITECTS
 INC.**
 111 FERRY RD SE FT WALTON BEACH FL 32548
 TEL: (850) 443-3100 FAX: (850) 443-3274

JAMES B. DOWNING, IAA
 ARCHITECT
 JAMES W. MATTHEW, IIR, IAA
 ARCHITECT

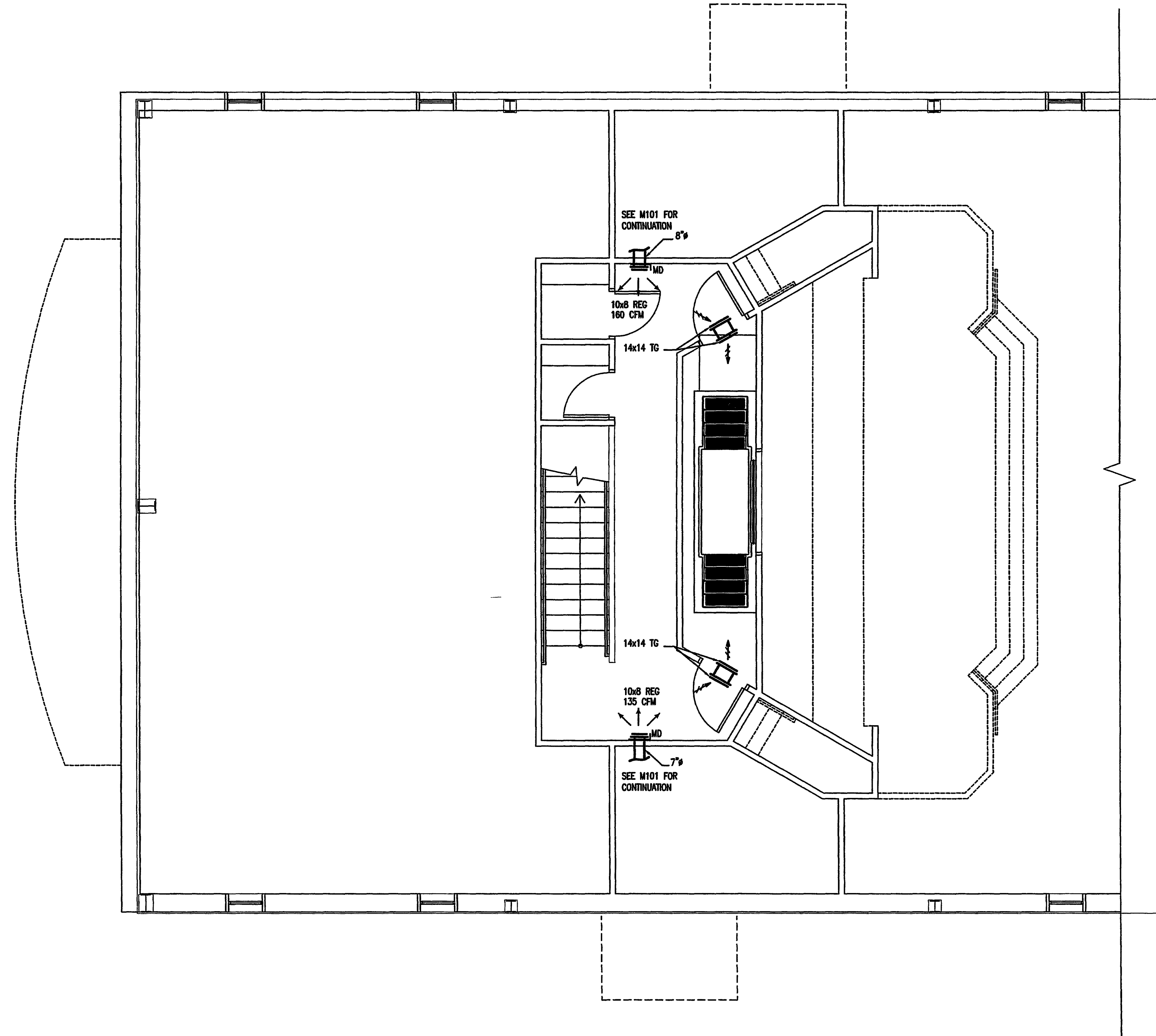
FIRST FLOOR PLAN
MECHANICAL

CENTRAL BAPTIST CHURCH
FORT WALTON BEACH, FLORIDA

PROJECT NO 0819
 DATE 04 MAY 07
 DRAWN BY TLM
 CHECKED BY JMW, JR

M101

PROPRIETARY RIGHTS CLAIM: INFORMATION AND DATA CONTAINED ON THIS DRAWING IS CONFIDENTIAL AND SHALL NOT BE USED WITHOUT PRIOR WRITTEN PERMISSION BY ANY ENTITY NOT HAVING A CONTRACTUAL RELATIONSHIP WITH THE ARCHITECT. THIS LEGEND SHALL BE MARKED ON ANY REPRODUCTIONS HEREOF IN WHOLE OR IN PART. KENDRICK DAVID BOWLING ARCHITECTS, INC. © COPYRIGHT 2007



SECOND FLOOR PLAN - MECHANICAL
SCALE 1/4"=1'-0"


 11 Miracle Strip Parkway SW Fort Walton Beach, FL 32548
 850.244.6188 / 850.244.0345 / 850.215.4098 / 850.215.4099
 jpeaden@johnsonpeaden.com FWB
 jpeaden@johnsonpeaden.com PC
 AL#CO-2423-E FL#00009014 GA#PE000393 MS#E-00000882

213 West 6th Street Panama City, FL 32401
 850.215.4098 / 850.215.4099

These plans, the ideas and the concepts contained herein including any digital information are the sole property of Johnson, Peaden Engineering, Inc. They are not to be reproduced, copied, modified or changed without the expressed written permission of Johnson, Peaden Engineering, Inc.

JPE Job Number 0719

PROJECT NO: 0619
DATE: 04 MAY 07
DRAWN BY: TLM
CHECKED BY: JMW, JR

M102

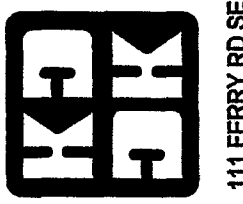
27 OF 32

CENTRAL BAPTIST CHURCH

FORT WALTON BEACH, FLORIDA

SECOND FLOOR PLAN
MECHANICAL

JAMES B. COWLING, III
ARCHITECT
JAMES W. MATTERN, JR., AIA
ARCHITECT


 KENDRICK DAVID BOWLING ARCHITECTS, INC.
 111 FERRY ROUSE FT WALTON BEACH FL 32548
 TEL: (850) 244-6188 FAX: (850) 244-6124

GENERAL MECHANICAL NOTES

- FURNISH ALL LABOR, EQUIPMENT, AND MATERIALS TO PROVIDE A COMPLETE MECHANICAL SYSTEM DUE TO THE SCHEMATIC NATURE OF THESE PLANS. THE CONTRACTOR SHALL FIELD-VERIFY LOCATIONS FOR EQUIPMENT DUCTWORK, AND ACCESSORIES. IN ADDITION, THIS WORK SHALL BE COORDINATED WITH OTHER TRADES TO AVOID CONFLICTS. THE CONTRACTOR SHALL ALSO REVIEW THE STRUCTURAL DRAWINGS BEFORE FABRICATING AND INSTALLING DUCTWORK OR EQUIPMENT.
- ALL WORK SHALL BE PERFORMED BY SKILLED AND EXPERIENCED WORKMEN. WORK SHALL COMPLY WITH ALL APPLICABLE STATE AND LOCAL CODES. THIS CONTRACTOR SHALL BE RESPONSIBLE FOR ALL REQUIRED PERMITS, LICENSES, AND INSPECTIONS.
- ALL MATERIALS SHALL BE NEW AND WITHOUT DEFECTS. SUBMIT SHOP DRAWINGS FOR ALL MATERIALS AND EQUIPMENT. ALL WORK DONE BY THIS CONTRACTOR SHALL BE WARRANTED FOR ONE YEAR FROM THE TIME THE OWNER GIVES ACCEPTANCE OR GIVES RETENTION USE, WHICHEVER IS FIRST. ALL EQUIPMENT SHALL BE INSTALLED PER MANUFACTURER'S RECOMMENDATIONS.
- DUCT SIZES ON DRAWINGS ARE INSIDE CLEAR DIMENSIONS. DUCT SHALL BE OF LOW-PRESSURE (10" w.g.) CONSTRUCTION AS CLASSIFIED BY SMACNA UNLESS OTHERWISE NOTED. ALL DUCT SHALL HAVE MINIMUM 1" INTERNAL LINER FOR THE FIRST 20 FEET FOR SOUND ATTENUATION. AFTER 20 FEET, THE CONTRACTOR MAY USE 1" MINIMUM LINER OR 2" EXTERNAL WRAP (MINIMUM R-4.2 FOR BOTH). MINIMUM 1" THICK, 475 E-RATED DUCTBOARD MAY BE USED WITH THE APPROVAL OF THE OWNER AND THE ARCHITECT.
- FLEXIBLE DUCT MAY BE INSTALLED ONLY WHERE SHOWN ON THE DRAWINGS. DUCT SHALL BE EXTERNALLY-INSULATED CORRUGATED METAL WITH A MAXIMUM LENGTH OF 8'-0" FOR TAKE-OFFS LONGER THAN 8'-0", THE REMAINDER OF THE DISTANCE SHALL BE EXTERNALLY-WRAPPED SINGLE-WALL ROUND DUCT WITH A SPIN-IN STYLE TAP AT THE MAIN DUCT.
- HANGERS FOR EQUIPMENT AND PIPING SHALL BE SECURED TO THE BUILDING STRUCTURE. NO HANGERS SHALL BE ATTACHED TO THE FLOOR OR ROOF DECK MATERIAL, OR CONCRETE DECKS LESS THAN 4" THICK.
- ALL RETURN AND EXHAUST GRILLES SHALL HAVE OPPOSED-BLADE DAMPERS. ALL SUPPLY-SIDE TAKE-OFFS SHALL HAVE A BALANCING DAMPER.
- FIRE DAMPERS AND FIRE-STOPPING SHALL BE PROVIDED FOR ANY PENETRATIONS OF FIRE-RATED PARTITIONS. VERIFY LOCATIONS OF ALL FIRE-STOPPING ON THE ARCHITECTURAL DRAWINGS.
- ALL GRILLES AND REGISTERS SHALL BE EQUAL TO TITUS UNLESS OTHERWISE NOTED. SUPPLY GRILLES SHALL BE EQUAL TO MODEL 300. RETURN GRILLES SHALL BE EQUAL TO MODEL 301. RETURN, EXHAUST AND TRANSFER GRILLES SHALL BE EQUAL TO MODEL 305 WITH OPPOSED-BLADE DAMPERS. GRILLE FINISH SHALL BE APPROVED BY THE OWNER AND THE ARCHITECT.
- EQUIPMENT INSTALLED UNDER THIS CONTRACT SHALL BE ABLE TO PROVIDE THE REQUIRED CAPACITIES IN THE MIDDLE OF ITS PERFORMANCE RANGE. ALL COMPRESSORS SHALL HAVE A MINIMUM 5-YEAR WARRANTY UNLESS OTHERWISE NOTED. THE EQUIPMENT SHALL HAVE ALL THE NECESSARY CONTROLS AND ACCESSORIES TO ALLOW FOR FULL OPERATION. IF EQUIPMENT HAS COMPONENTS OF A VIBRATING NATURE, THE CONTRACTOR SHALL PROVIDE THE NECESSARY VIBRATION CONTROLS.
- REFRIGERANT PIPING SHALL BE HAND-DRAWN TYPE K OR L COPPER WITH COPPER SOLDER FITTINGS. PIPING SHALL BE SOLDERED WITH SILVER SOLDER AND INSULATED WITH 1/2" THICK THERMAL TUBULAR JACKING. SEAL INSULATION JOINTS WITH TAPE AND COHENT OR PER MANUFACTURER'S INSTRUCTIONS. PRE-INSULATED AND PRE-CHARGED REFRIGERANT LINES MAY BE USED AS PROVIDED BY THE EQUIPMENT MANUFACTURER. WHERE INSULATION IS EXPOSED TO WEATHER, PROTECT LINES WITH AN ALUMINUM COVER AND PAINT TO MATCH EXTERIOR FINISH.
- CONDENSATE DRAINS SHALL BE FULL-SIZE (1" MINIMUM) COPPER OR SCHEDULE 40 PVC. DRAINS SHALL BE INSULATED IN THE SAME MANNER AS REFRIGERANT LINES. DISCHARGE AS SHOWN ON THE DRAWINGS.
- CONTROLS SHALL BE EQUAL TO MANUFACTURER'S CONTROLS. OUTDOOR UNITS SHALL HAVE FACTORY-WIRED TIME DELAYS, PRESSURE SWITCHES, LOW-AMBIENT CONTROLS AND DEFROST CONTROLS. THERMOSTATS SHALL BE DIGITAL AND PROGRAMMABLE WITH BATTERY BACK-UP. SETPOINTS SHALL FOLLOW DESIGN CONDITIONS OR BE AS DIRECTED BY THE OWNER. MOUNT ALL THERMOSTATS AND TEMPERATURE SENSORS 6'0" AFF.
- THE HVAC SYSTEM SHALL BE TESTED AND BALANCED ACCORDING TO AISC STANDARDS. THE CONTRACTOR SHALL PROVIDE THE ARCHITECT WITH A COPY OF THE TEST AND BALANCE REPORT AND THE OWNER WITH A LETTER STATING THAT THE SYSTEM(S) HAVE BEEN BALANCED TO WITHIN 10% OF DESIGN PARAMETERS.

AIR HANDLER SCHEDULE

UNIT NO	AIR CFM	APPROX S.P. W.G.	FAN H.P.	COOLING ENT AIR TEMP	COOLING LVS TEMP	OUTSIDE AIR CFM	OUTDOOR TEMP-COOLING	ELEC HEAT (240V)	MCA	MOCP	VOLT/PHASE	FRAME MODEL NUMBER	REMARKS
AH-1	3300	0.80	2	78.9/66.7	52.7/51.7	820	91.5/77.9	14.98KW	53	60	208-230/3	TWE120B3	1, 2
AH-2	3200	0.8	2	80.6/68.1	52.7/51.8	820	92.5/77.9	14.98KW	53	60	208-230/3	TWE120B3	1, 2

REMARKS
 1 UNIT SHALL BE WIRED FOR SINGLE POINT CONNECTION, HEATER SHALL BE EQUIPPED WITH MINIMUM 2-STAGE HEATING ELEMENTS, PROVIDE UNIT MOUNTING SUBBASE, VIBRATION ISOLATION
 2 SMOKE DETECTOR SHALL SOUND AUDIO AND VISUAL ALARM UPON ACTIVATION. FAN AND COMPRESSOR SHALL SHUT DOWN UPON ACTIVATION. PROVIDE & INSTALL COMPONENTS REQUIRED FOR SHUT-DOWN AND ALARM

MECHANICAL LEGEND

MARK	DESCRIPTION	MARK	DESCRIPTION	MARK	DESCRIPTION
CFM	CUBIC FEET PER MINUTE	→	RETURN OR EXHAUST AIR	⊠	SUPPLY OR OUTSIDE AIR DUCT IN SECTION
DN	DOWN	⊙	THERMOSTAT	⊠	RETURN OR EXHAUST AIR DUCT IN SECTION
CD	CEILING DIFFUSER (TITUS TOCA-AA)	⊙	SMOKE DETECTOR	W x H	DUCT SIZE (FIRST DIMENSION AS VIEWED)
FG	FILTER GRILLE (TITUS 4F)	⊙	1/2" DOOR UNDERCUT	⊠	CEILING TYPE AIR DIFFUSER RECTANGULAR 4-INCH SHOWN
OA	OUTSIDE AIR	W/FD	WITH FIRE DAMPER	⊠	CEILING EXHAUST OR RETURN AIR REGISTER
EF	EXHAUST FAN	⊙	THE NEW EQUIPMENT INTO EXISTING		
SHR	REGISTER (TITUS 350-F)	⊙	TURNING VANES IN DUCT		
AH/HP	AIR HANDLER/HEAT PUMP	⊙	MANUAL DAMPER		
→	SUPPLY AIR				

VENTILATION FAN SCHEDULE

MARK	CFM	S.P. W.G.	MIN. WATTS	MAX. RPM	MAX. SONES	FAN TYPE	DRIVE TYPE	EQUAL TO GREENCHECK #	CONTROL OR INTERLOCK	NOTES
EF-1	100	0.25	48	900	1.3	CENTRIFUGAL	DIRECT	SP-A200	LIGHT SWITCH	1, 2
EF-2	50	0.25	50	700	2.0	CENTRIFUGAL	DIRECT	SP-B90	LIGHT SWITCH	1, 2
EF-3	150	0.25	48	900	1.9	CENTRIFUGAL	DIRECT	SP-A200	LIGHT SWITCH	1, 2

1 ALL FANS SHALL BE COMPLETE WITH BACKDRIFT DAMPERS, DISCONNECT, TIME DELAY, WHITE ALUMINUM GRILLE, ISOLATOR KIT
 2 FAN SPEED CONTROL, VARIABLE TIME DELAY SWITCH

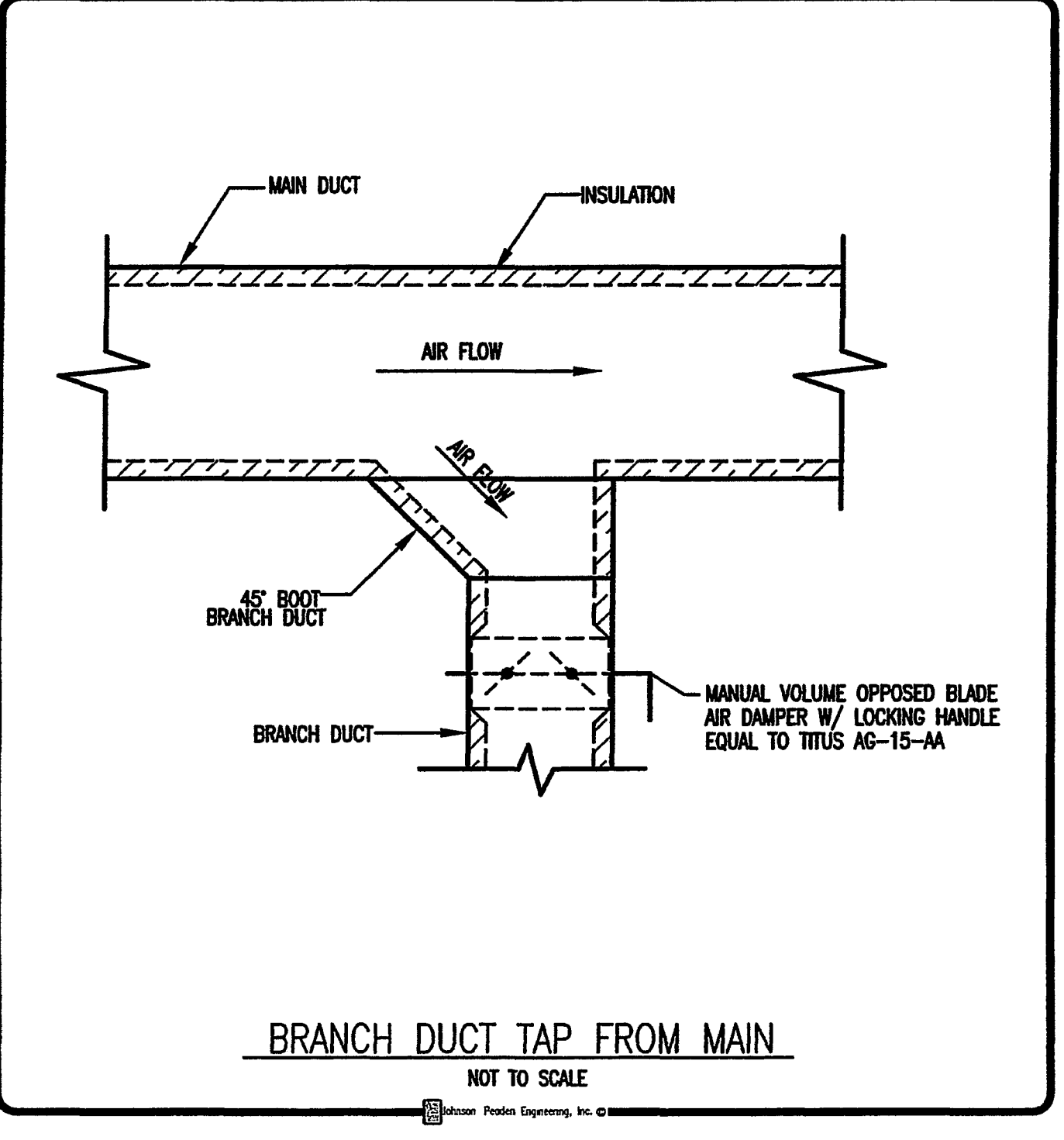
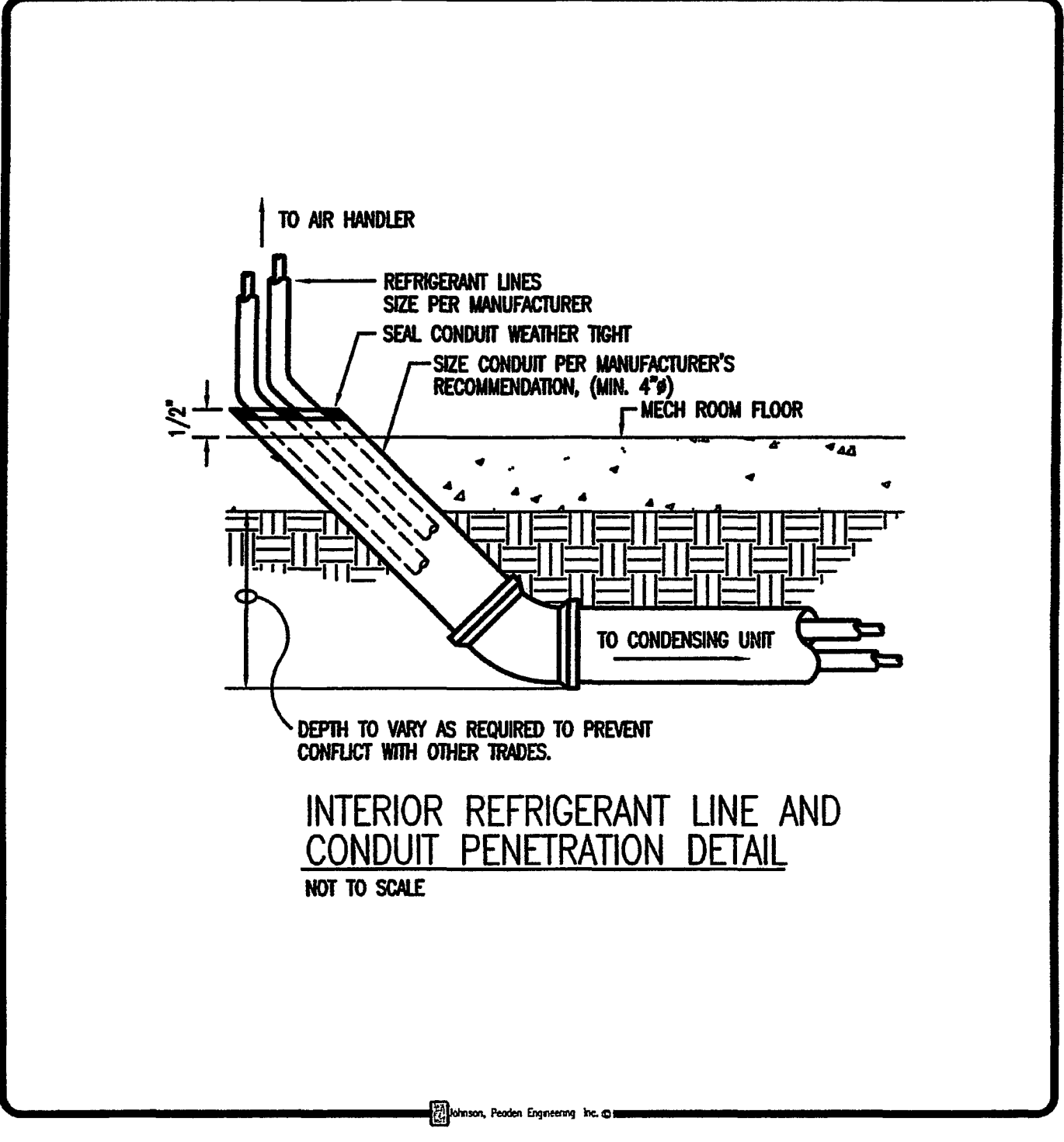
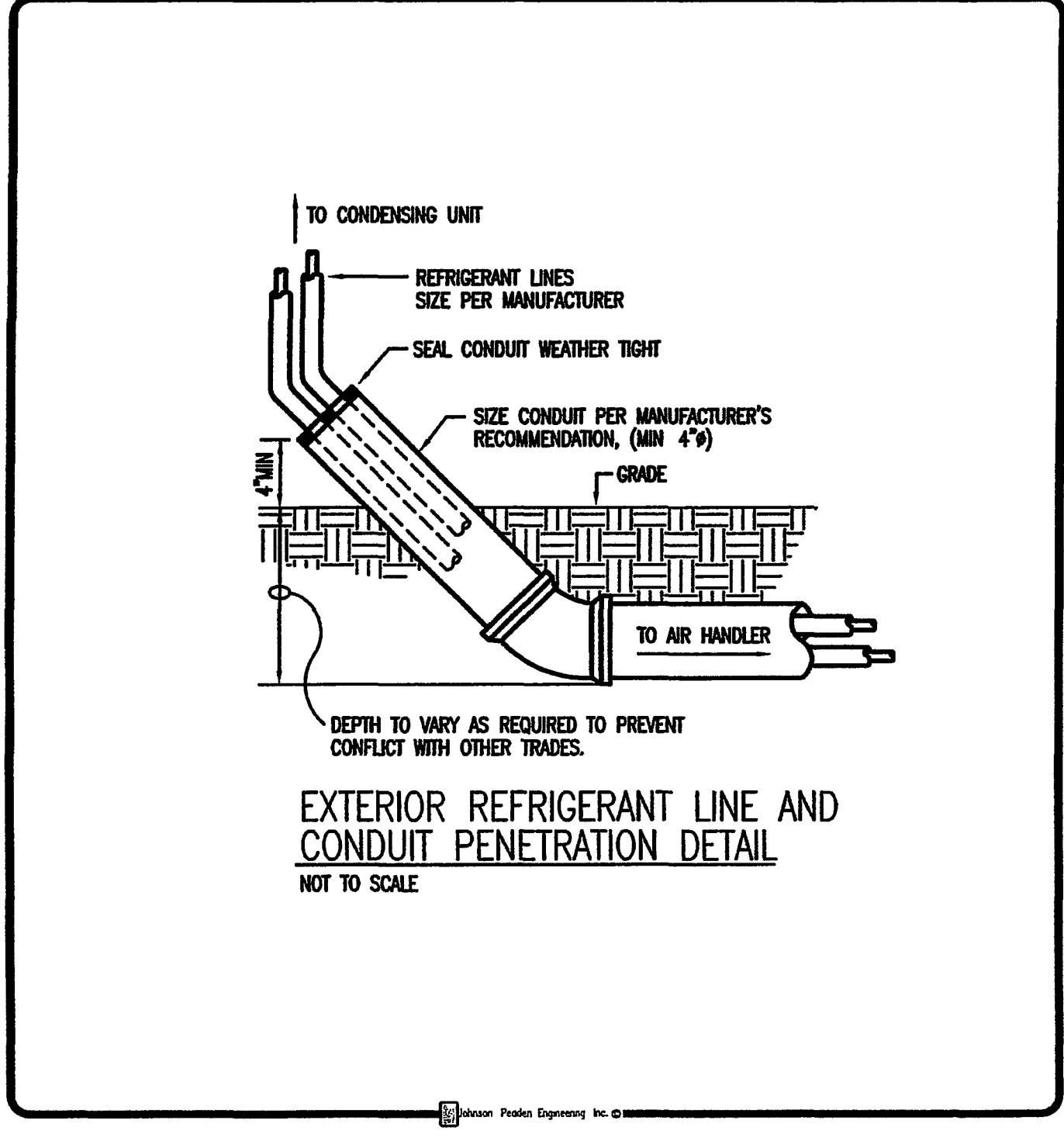
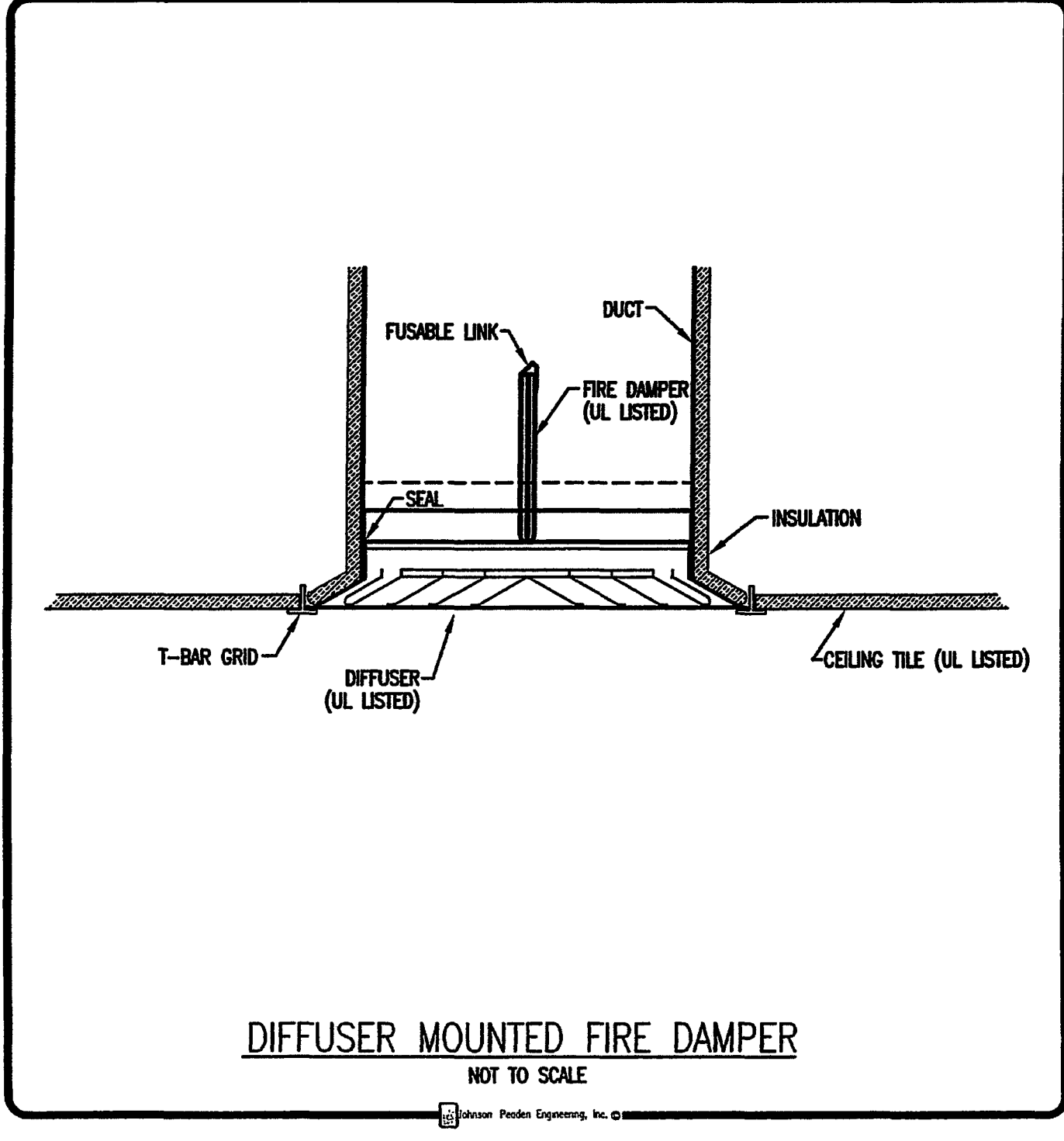
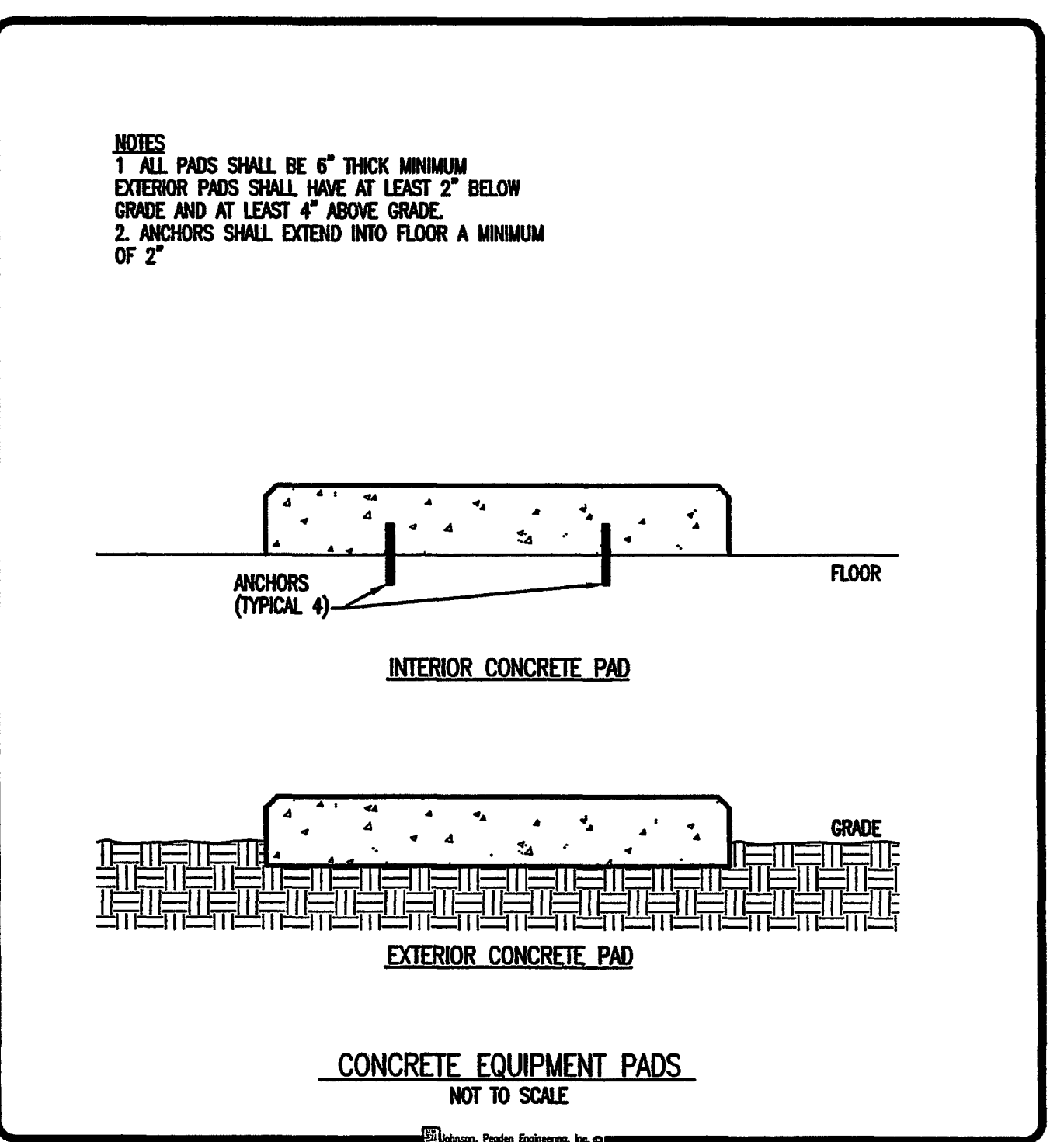
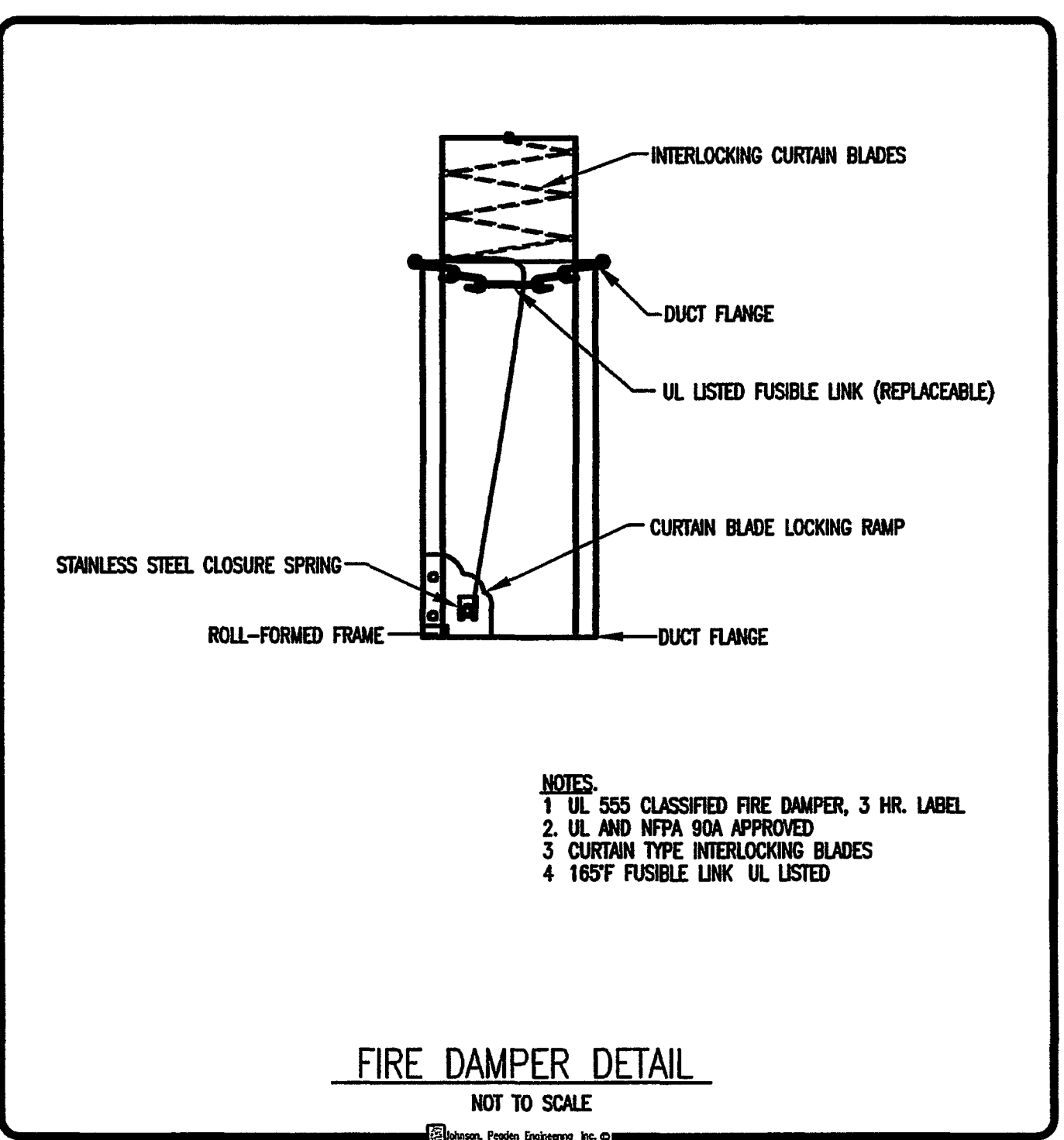
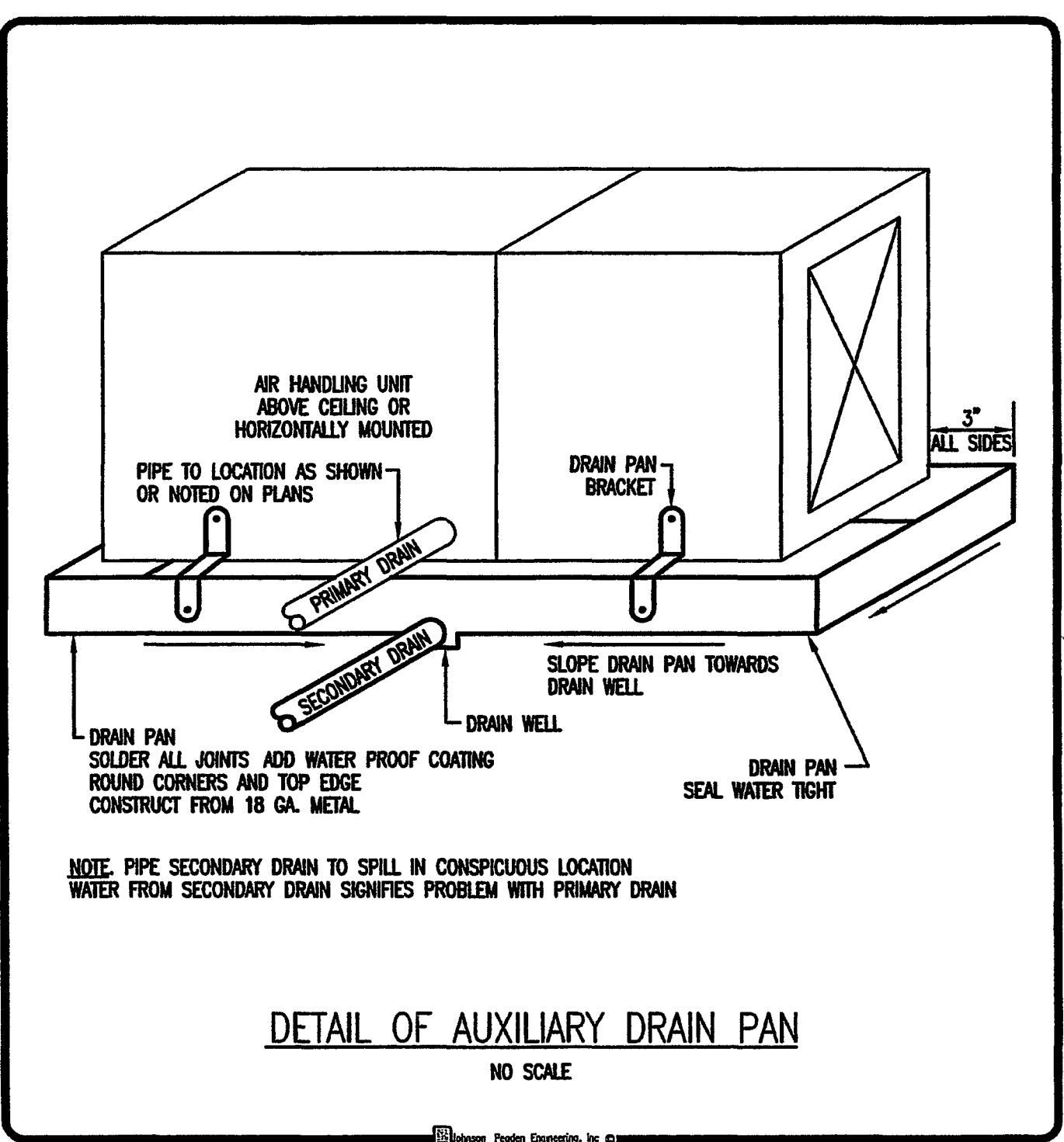
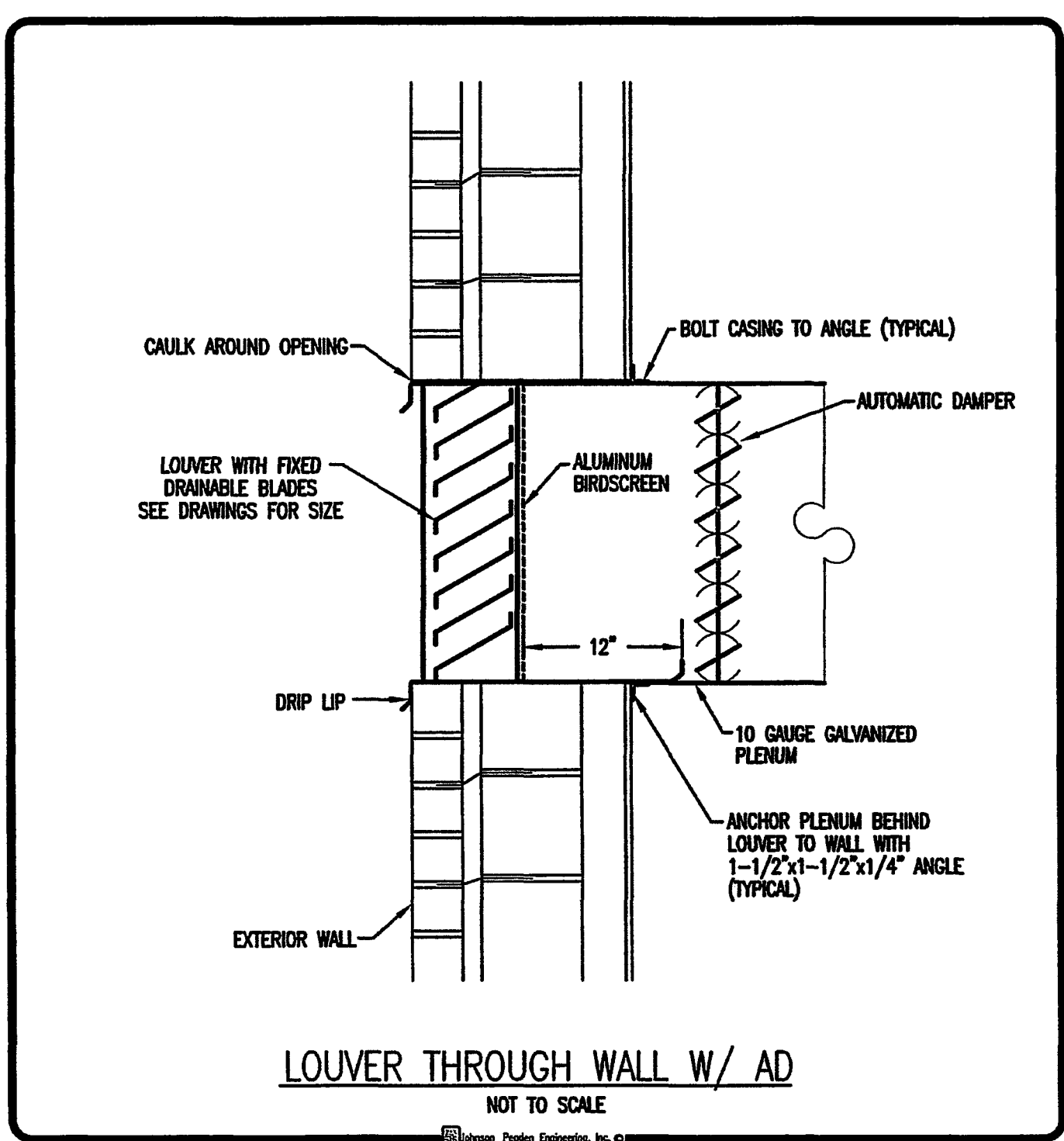
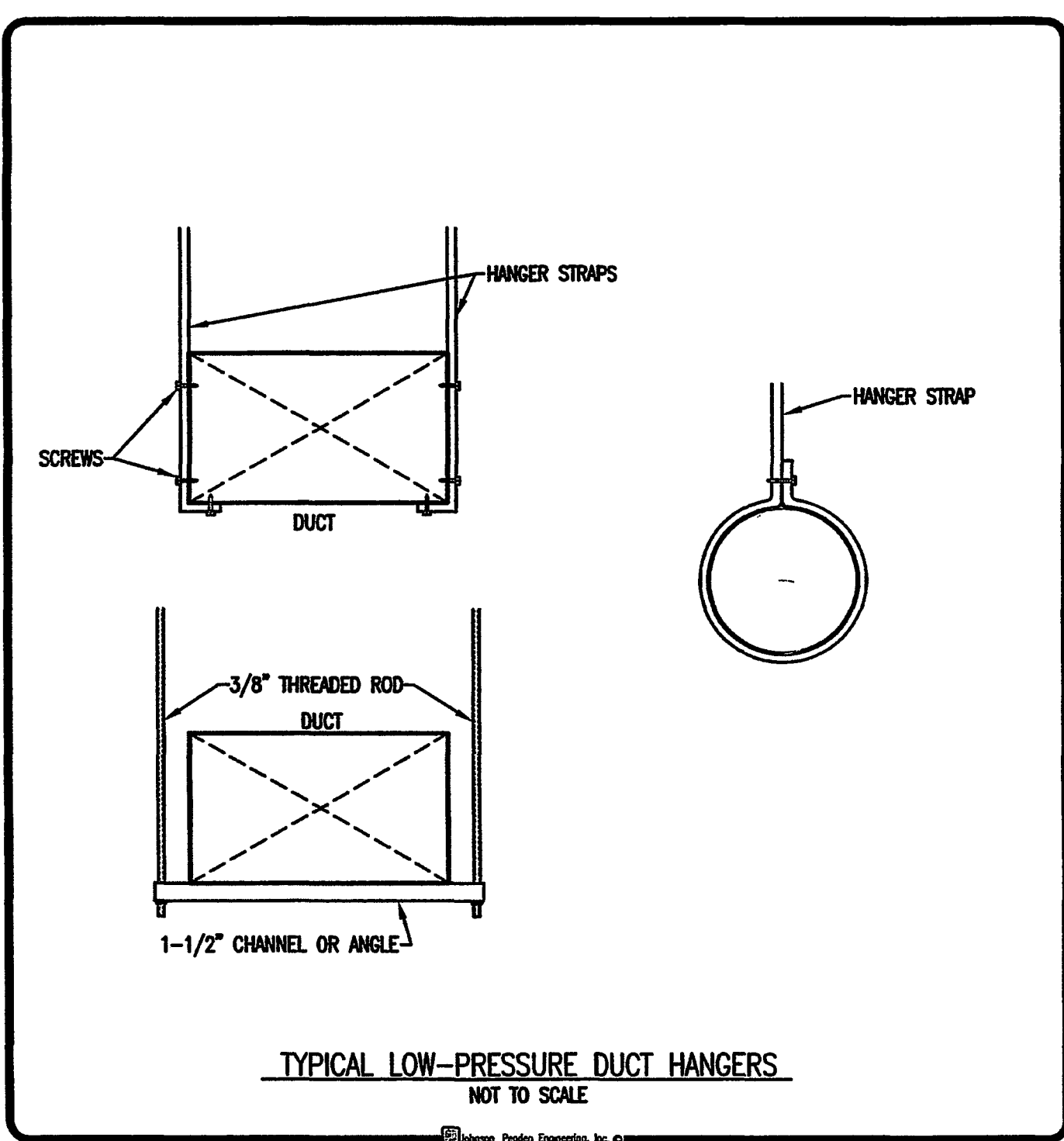
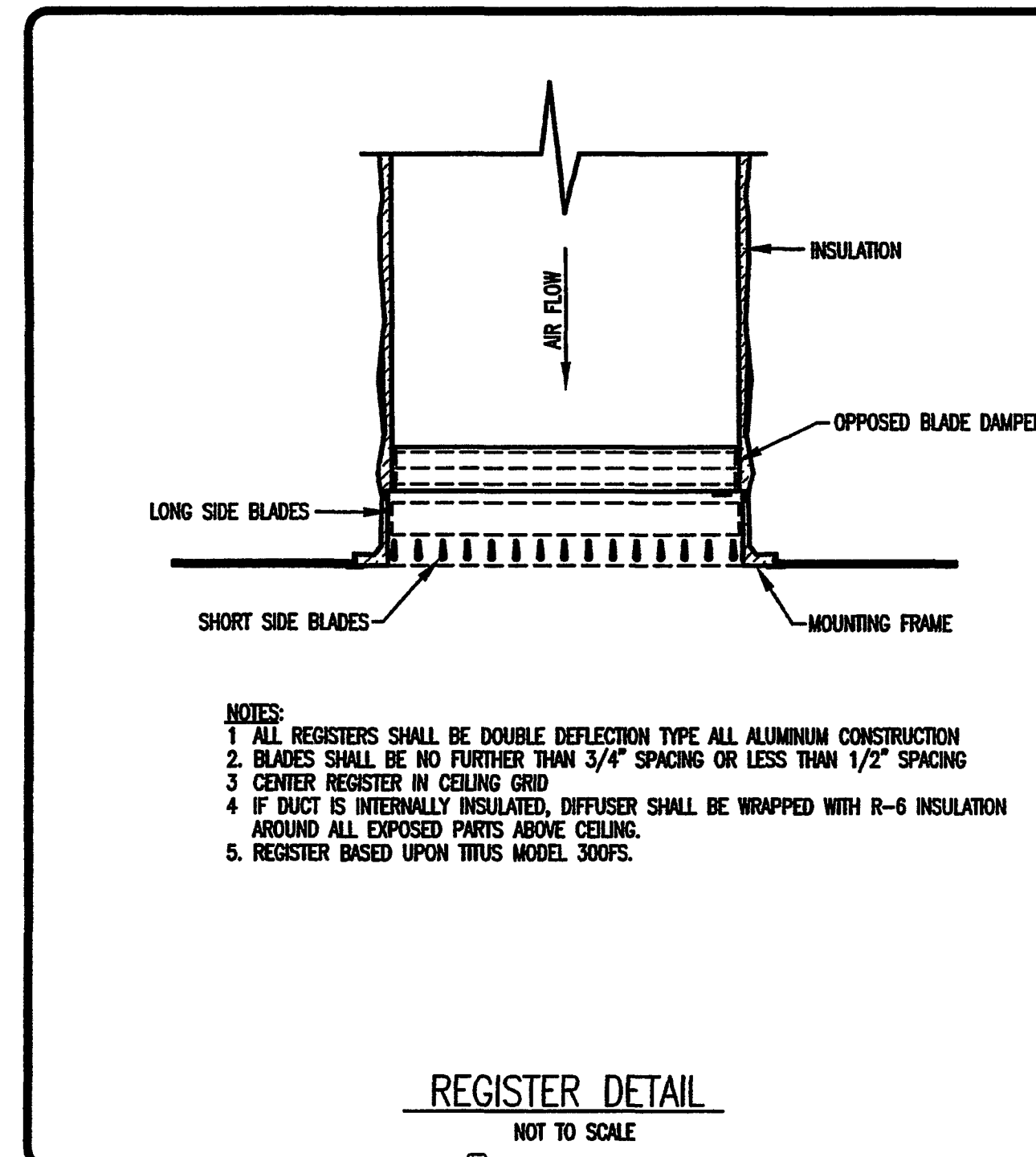
DESIGN CONDITIONS

SUMMER		WINTER	
INDOOR	OUTDOOR	INDOOR	OUTDOOR
SOIFDB	SOOFDB	WIOFDB	WOOFDB
SOIFWB	SOOFWB	WIOFWB	WOOFWB

AIR COOLED CONDENSING UNIT SCHEDULE

UNIT NO	TOTAL COOLING (MBH)	SENSIBLE COOLING (MBH)	LATENT COOLING (MBH)	(S)EER	OUTDOOR TEMP-COOLING	FLA	MCA	MOCP	VOLT/PHASE	EQUAL TO FRAME	REMARKS
AC-1	130	83.9	46.1	X	91.5/77.9	43.2	47.9	60	208-230/3	TWA120B3	1, 2, 3, 4
AC-2	118.7	72.3	44.4	10.3	92.5/77.9	50	55.5	70	208-230/3	TWA150B3	1, 2, 3, 4

REMARKS
 1 UNIT SHALL BE EQUIPPED WITH A PROGRAMMABLE THERMOSTAT CAPABLE OF NIGHT/WEEKEND SETBACK POINTS.
 2 UNIT SHALL BE EQUIPPED WITH ANTI-SHORT-CYCLE TIMER, TAV VALVE AND MANUAL PROOF COIL GUARD
 3 UNIT SHALL HAVE LOW AMBIENT COOLING CAPACITY AND SEASOON COIL PROTECTION
 4 CONTROLS SHALL BE CAPABLE OF PROVIDING 3 STAGES OF COOLING CONTROL AND MINIMUM 2 STAGES OF HEAT



JOHNSON PEADEN ENGINEERING INC.
 11 Miracle Strip Parkway SW Fort Walton Beach, FL 32548
 850.244.8188 / 850.244.1949
 213 West 6th Street Panama City, FL 32401
 850.215.4088 / 850.215.4089
 jpeaden@johnsonpeaden.com FWB
 jpeaden@johnsonpeaden.com PC
 ALICD-2423-E FLA0000914 GAPEF00383 MSRE-0000882
 These plans, the ideas and the concepts contained herein including any digital information are the sole property of Johnson, Peaden Engineering, Inc. They are not to be reproduced, copied, modified or changed without the expressed written permission of Johnson, Peaden Engineering, Inc.
 JPE Job Number: 0719

KENDRICK DAVID BOULING ARCHITECTS, INC.
 111 FERRY ROAD SE FT WALTON BEACH FL 32548
 TEL (850) 242-2428

JAMES R. DOWLING, AIA
 ARCHITECT
 JAMES W. MATTERS, JR., AIA
 ARCHITECT

M201

PROJECT NO 0619
 DATE 04 MAY 07
 DRAWN BY TLM
 CHECKED BY JMW, JR

CENTRAL BAPTIST CHURCH
 FORT WALTON BEACH, FLORIDA

28 OF 32